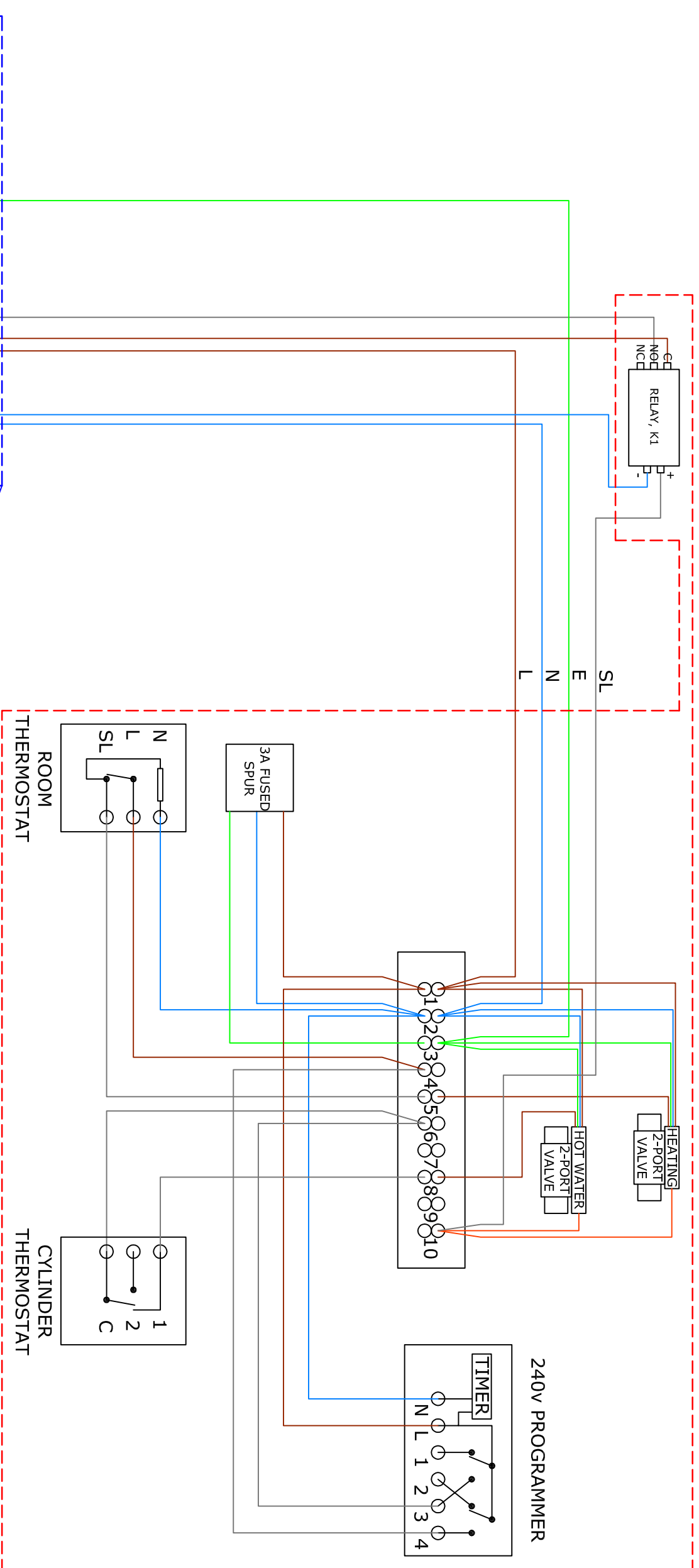
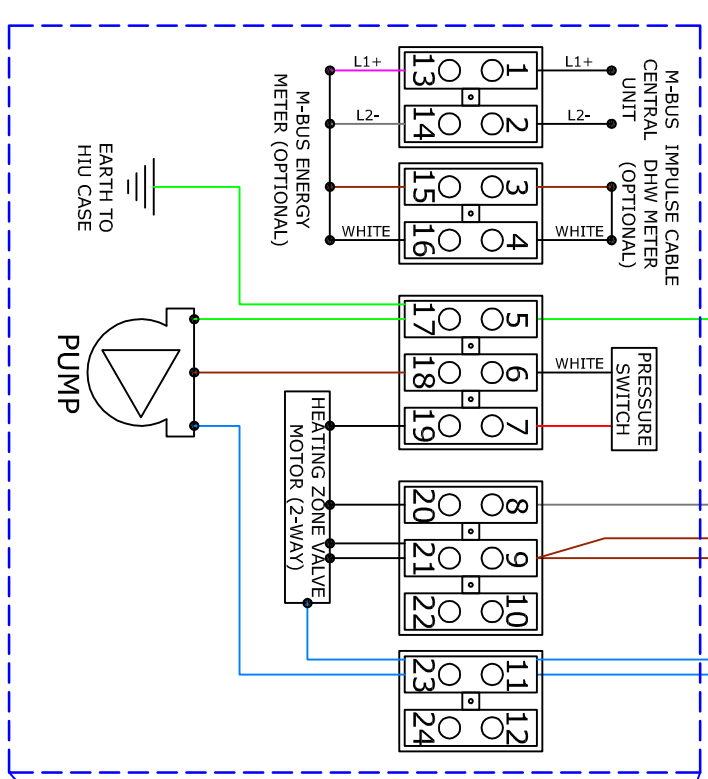


Copyright - This drawing is the copyright of Giacomini (UK) Ltd and may not be copied, reproduced, completely or partially, in any form or manner whatsoever without the written permission of Giacomini (UK) Ltd.

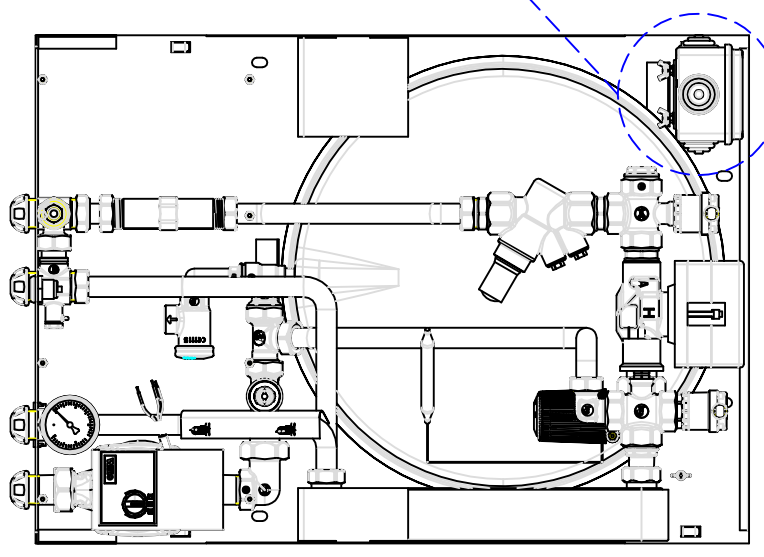
NOTES:  
 THIS DRAWING IS INTENDED FOR GUIDANCE PURPOSES ONLY AND ANY ALTERATIONS TO THE INSTALLATION MUST BE NOTIFIED TO GIACOMINI (UK) LTD, UNIT 2, WESTERSLEIGH BUSINESS PARK, VATE, BRISTOL BS37 9JT.  
 GIACOMINI (UK) LTD ARE NOT ELECTRICAL CONTRACTORS AND ARE NOT RESPONSIBLE FOR WIRING ON SITE. WE CAN ONLY SUBMIT WIRING DIAGRAMS FOR INSTALLATION ON SITE BY SITE ELECTRICIAN.



**S-PLAN HEATING SYSTEM & RELAY**  
 • SUPPLIED & WIRED BY ELECTRICAL CONTRACTOR



- SINGLE PLATE GE556Y171 ELECTRICAL CONNECTIONS**
- SUPPLIED BY GIACOMINI (UK) LTD, WIRED BY OTHERS
  - HEATING ZONE VALVE MOTOR OPENS & CLOSES WHEN THE HEATING AND HOT WATER CALL



REVISION	AMENDMENT	DATE

**GIACOMINI**  
 WATER EMOTION

Giacomini (UK) Ltd  
 Unit 2, Westersleigh  
 Business Park  
 Vate  
 Bristol BS37 9JT  
 T: 01454 31831  
 F: 01454 31836

ELECTRICAL CONNECTIONS FOR GE556Y171  
 PROPOSED S-PLAN WIRING DIAGRAM

DATE: 10/10/14  
 DRAWN: MSB  
 SCALE: NTS @ A3  
 DRAWING NO: **G5 S-PLAN WD**