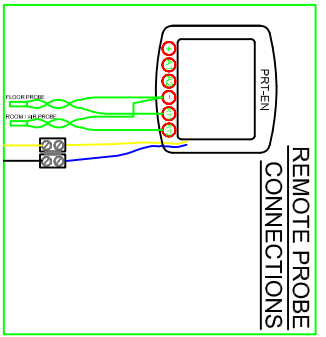
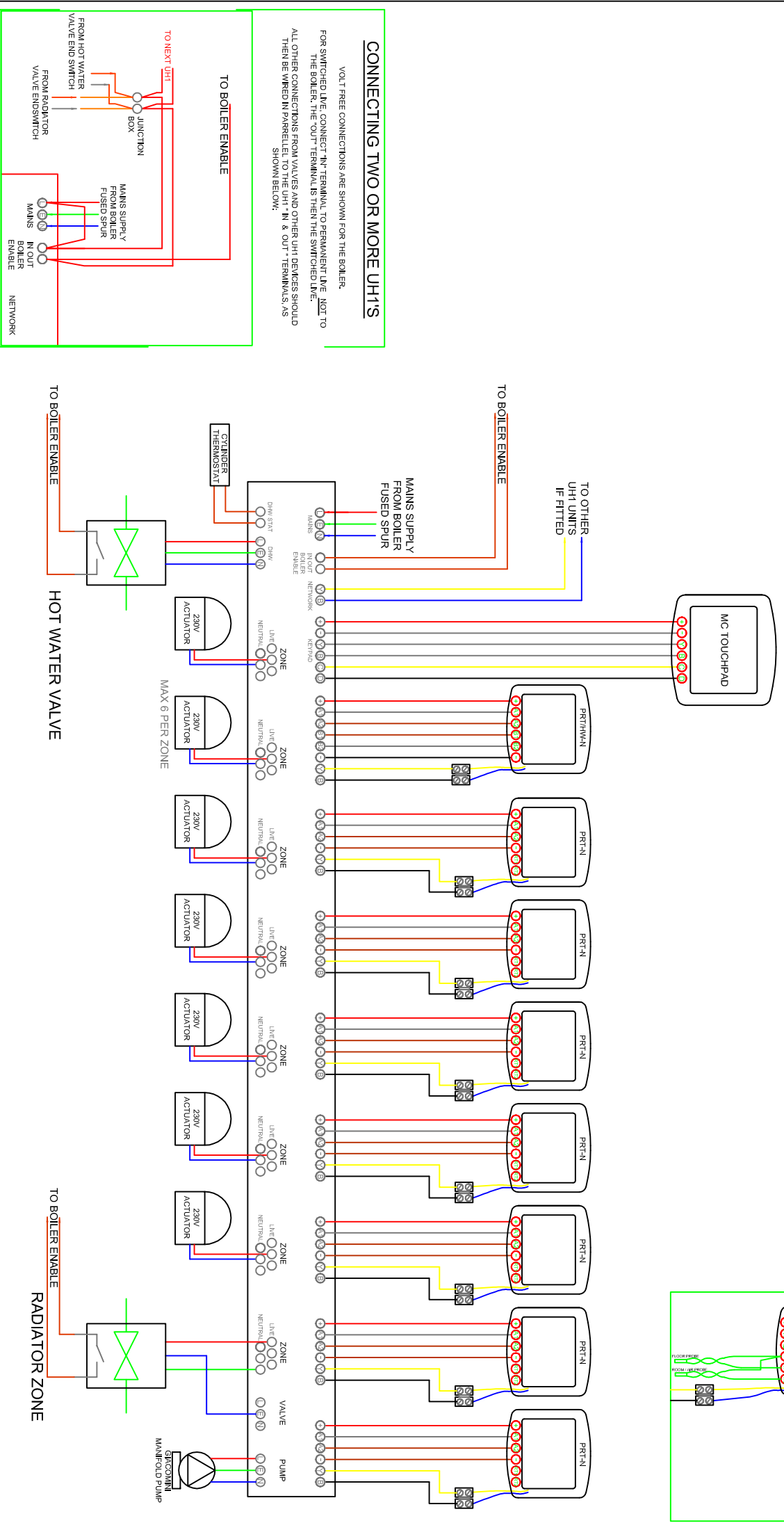
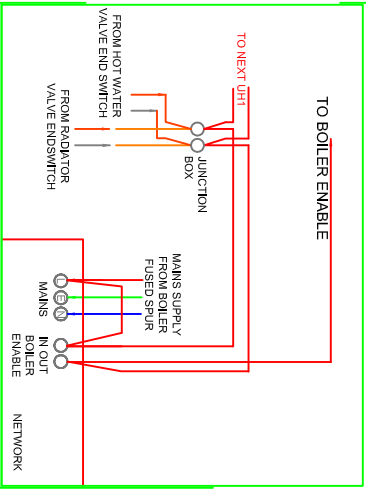


HEATMISER WIRING DIAGRAM



CONNECTING TWO OR MORE UH1'S

VOLT FREE CONNECTIONS ARE SHOWN FOR THE BOILER.
 FOR SWITCHED LIVE, CONNECT 'IN' TERMINAL TO PERMANENT LIVE, NOT TO THE BOILER. THE 'OUT' TERMINAL IS THEN THE SWITCHED LIVE.
 ALL OTHER CONNECTIONS FROM VALVES AND OTHER UH1 DEVICES SHOULD THEN BE WIRED IN PARALLEL TO THE UH1 'IN' & 'OUT' TERMINALS, AS SHOWN BELOW:



FOR FURTHER INFORMATION PLEASE CONTACT HEATMISER ON 01254 669090

COURTESY OF **Heatmiser UK Ltd**