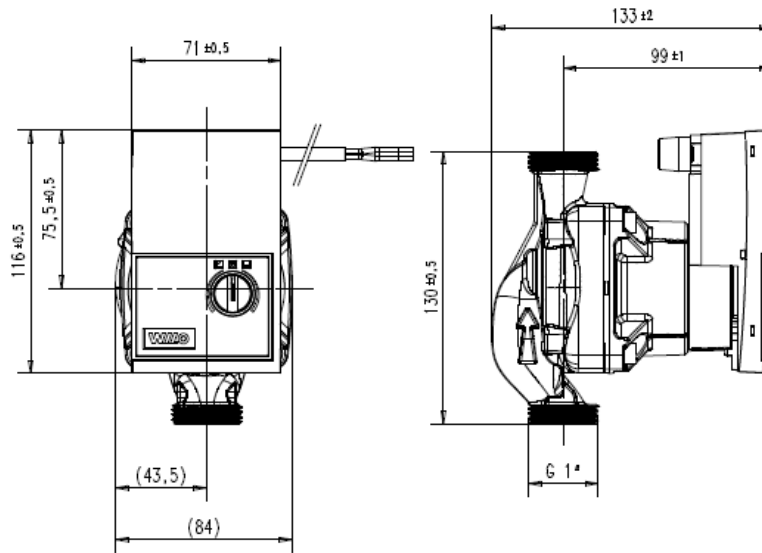


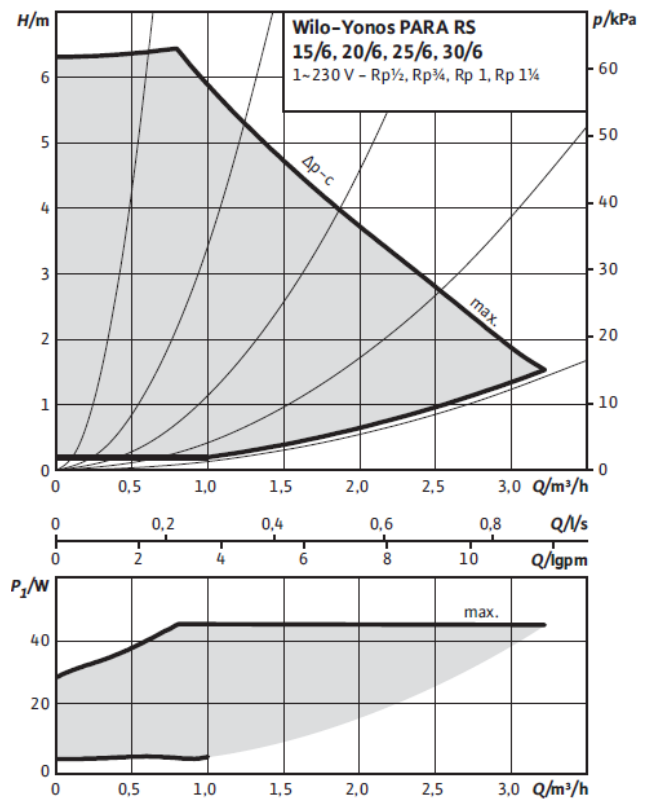
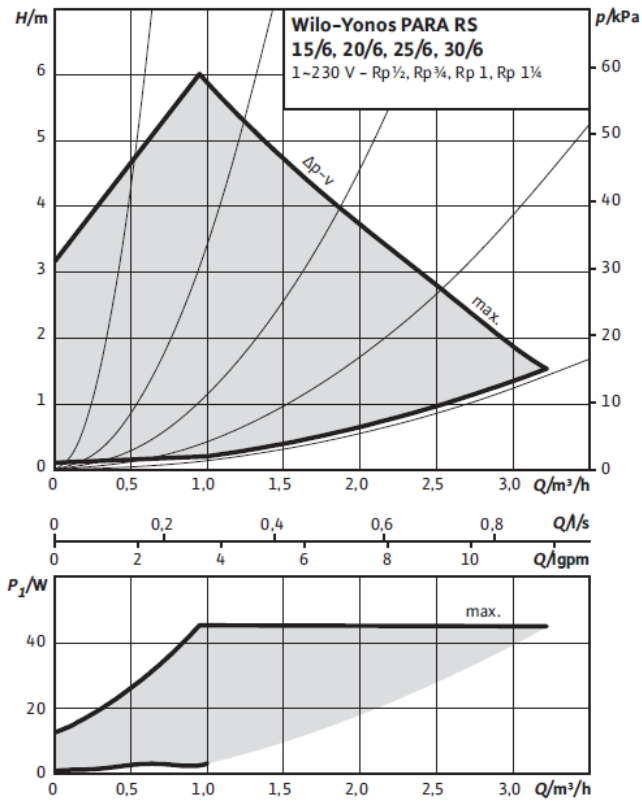


	<b>Yonos PARA RS 15/6 RKA FS 130 12</b>
<b>Yonos PARA</b>	High Efficiency pump for heating application
RS	Inline cast iron pump housing
15	Threaded connection DN 15 (DN 20, DN 25, DN 30)
6	6 = delivery head in [m] at Q = 0 m <sup>3</sup> /h
RKA	The pump is controlled by Red Knob technology RKA = $\Delta P$ -v, $\Delta P$ -c
FS	Overmoulded cable with brass end splices
130	Pump housing length 130 mm
12	Control box orientation 12 o'clock

## Dimensions



## Hydraulic operational area



Tolerances of each curve according to EN 1151-1:2006

**Technical data**

Approved fluids (other fluids on request)	Heating water (in accordance with VDI 2035) Water-glycol mixtures (max. 1:1; above 20% admixture, the pumping data must be checked)
<b>Power</b>	
Max. delivery head	6,2 m
Max. volume flow	3,3 m3/h
<b>Permitted field of application</b>	
Temperature range for applications in HVAC systems at max. ambient temperature	Of 57°C = 0 to 95°C Of 59°C = 0 to 90°C Of 67°C = 0 to 70°C
Maximum static pressure	PN 6
<b>Electrical connection</b>	
Mains connection	1~230 V +10%/-15%, 50/60 Hz (IEC 60038 standard voltage)
<b>Motor/electronics</b>	
Electromagnetic compatibility	EN 61800-3
Emitted interference	EN 61000-6-3 EN 61000-6-4
Interference resistance	EN 61000-6-1 EN 61000-6-2
Protection class	IPx4D
Insulation class	F
RoHS / Reach	conform
<b>Minimum suction head at suction port to avoid cavitation at water pumping temperature</b>	
Minimum suction head at 50/95°C	0.5/4.5 m

<b>Motor data</b>					
Wilo Yonos PARA	Nominal motor power	Speed	Power consumption 1-230 V	Current at 1-230 V	Motor protection
	P2	n	P1	I	-
	W	rpm	W	A	-
RS ../6 RKA	37	800-4300	3-45	0.028-0.44	Integrated

<b>Materials</b>				
Wilo-Yonos PARA	Pump housing	Impeller	Pump shaft	Bearing
RS ../6 RKA	Cast iron with cathoresis treatment	PP composite with GF 40%	Stainless steel	Carbon, metal impregnated

*This document is subject to change without prior notice 08/2012 WILO SE*